

CONVENTIONAL FIRE ALARM ANNUNCIATOR

FIPN SERIES

DESCRIPTION

The FIPN series annunciators are auxiliary units of fire alarm panels that are installed in sub control rooms, guard rooms, etc., located remotely from the fire alarm control panel thus enabling careful fire management by fire surveillance at multiple points.

The annunciator has the functions of indicating fire zones and of giving an audible alarm of those functions possessed by the fire alarm control panel. Upon operation of the fire alarm control panel, the annunciator activates the indication lamps and audible alarm devices.

The FIPN series annunciator is equipped with a means of telephone communication with attendants at the fire alarm control panel.

FEATURES

- Zone indication lamps (Red LEDs)
- Audible device (Electronic buzzer)
- Compact design

20-Zones Annunciator (FIPN103-E2-40L)



5-Zones Annunciator (FIPN203-S-5L)



SPECIFICATIONS

MODEL NO.	FIPN103 Series	FIPN203-S-5L
MOUNTING TYPE	Wall mounting type	
TELEPHONE FUNCTION	Provided	Nil
ZONE LAMP	Red LED, 24VDC, 2mA	
AUDIBLE DEVICE	Electronic buzzer, 24VDC, 15mA	
MAIN MATERIAL	Steel sheet	
FINISH	Baked painting, Semi-gloss, Approximating Munsell N8.7 or equivalent	
AMBIENT TEMPERATURE AND HUMIDTY	0 to 40°C, 20 to 85%(RH)	

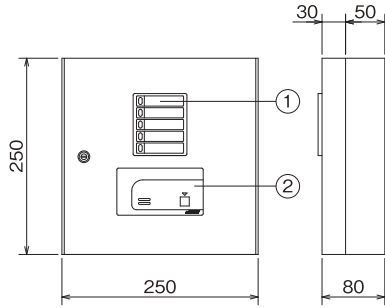
NOHMI BOSAI LTD.

FIRE ALARM ANNUNCIATOR FIPN SERIES

CAT. NO. **D**-F-3211

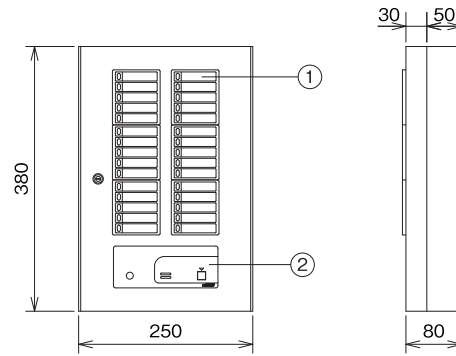
FIPN203-S-5L and FIPN103-S-10L

- ① ZONE LED AND NAME PLATE
- ② CONTROL SWITCH PART



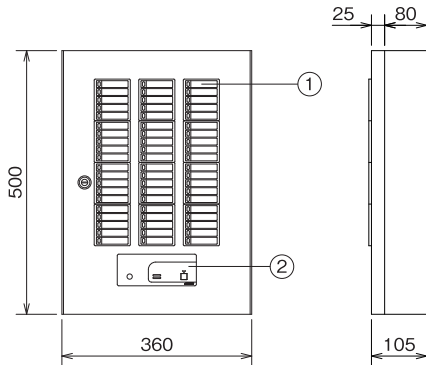
FIPN103-H2-20L and 30L

- ① ZONE LED AND NAME PLATE
- ② CONTROL SWITCH PART



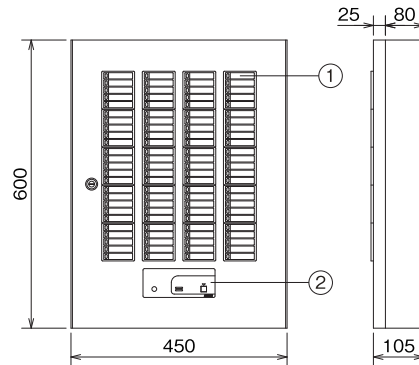
FIPN103-E2-40L, 50L, and 60L

- ① ZONE LED AND NAME PLATE
- ② CONTROL SWITCH PART

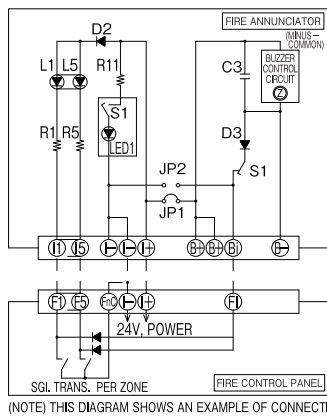


FIPN103-A2-70L, 80L, 90L, and 100L

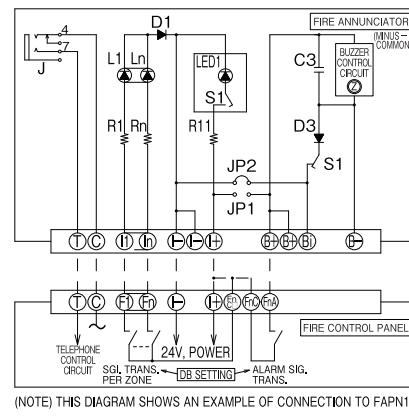
- ① ZONE LED AND NAME PLATE
- ② CONTROL SWITCH PART



Circuit Diagram of FIPN203-S-5L

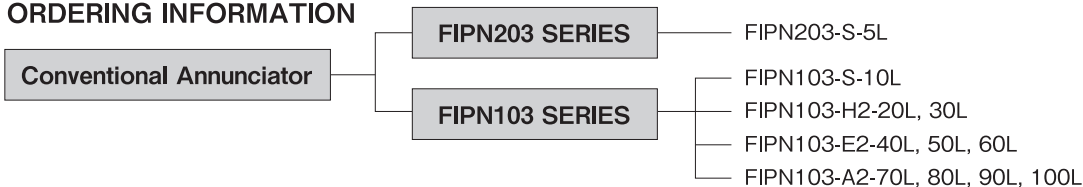


Circuit Diagram of FIPN103



• Refer to specification drawing for details

ORDERING INFORMATION



NOTE

- The information contained herein does not purport to cover all the details or variations of the equipment described, nor to provide for every possible contingency that may be met in connection with its installation, operation or maintenance.
- Specifications are subject to change without notice. Contact Nohmi before relying on the information.
- Actual performance is based on proper application of the product by a qualified professional.
- Should further information be required or should particular concerns arise that are not covered sufficiently for the purchaser's purposes, the matter should be referred to Nohmi or your nearest distributor.

NOHMI
NOHMI BOSAI LTD.

● HEAD OFFICE : 7-3, Kudan Minami 4-chome,
Chiyoda-ku, Tokyo 102-8277, Japan

● PHONE : (81)3-3265-0231

● F A X : (81)3-3265-5348

● U R L : <http://www.nohmi.co.jp/english/>

140810 D-F-3211PDF